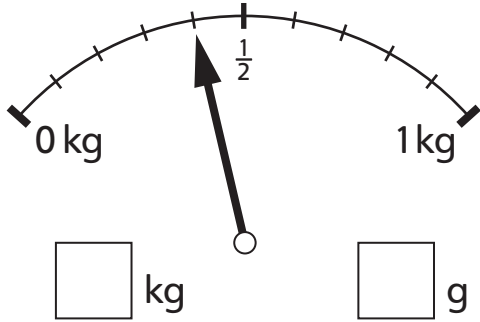


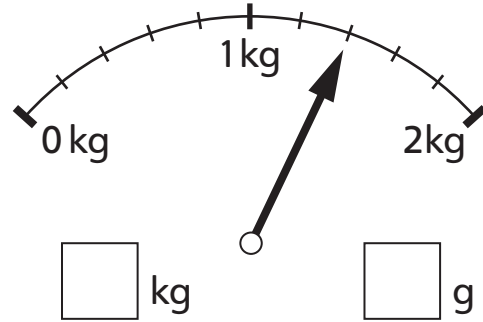
Reading scales – using fractions

Write the weight shown on each scale in kilograms and grams.

1.

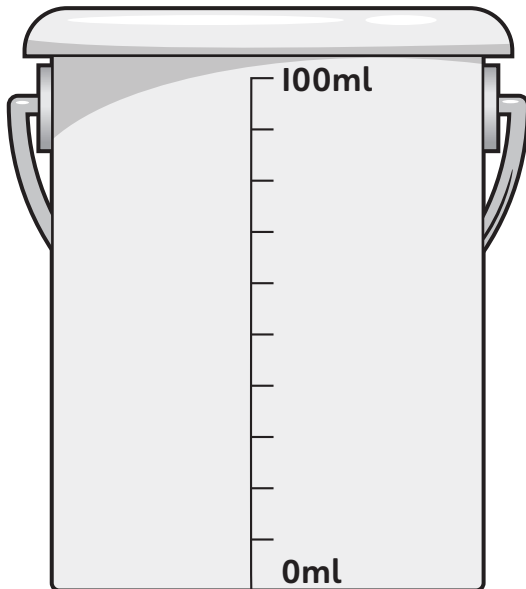


2.

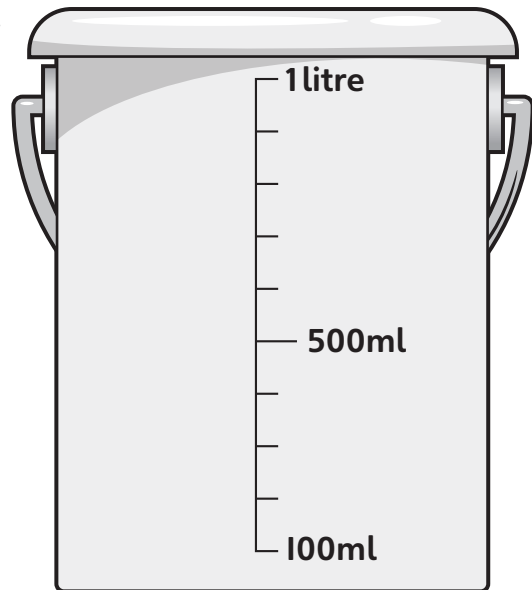


Write the volume that half of each bucket contains. Colour to show the bucket half full.

3.



4.



Half the volume = _____ Half the volume = _____



I can read scales using fractions

Measure: Understanding and explaining

